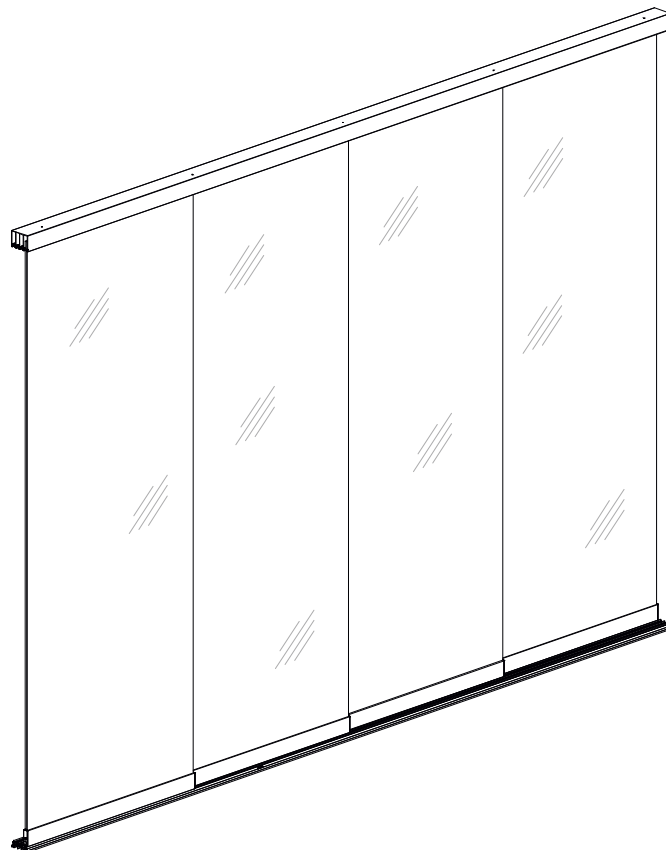




User manual / Assembly instructions Deponti Sliding Glass doors

Type Fiano

Version: EN – February 2024



www.deponti.com

Contents



1. Introduction	3
2. Safety precautions and warnings	3
3. Product description	5
4. Parts overview	6
4.1 Exploded view	6
4.2 Delivery inspection	6
4.3 Parts list	7
5. Preparation for assembly	9
5.1 Conditions for assembly	9
5.2 Inspection of tools and accessories	10
5.3 Measuring & determining dimensions	11
5.3.1 Height dimension	12
5.3.2 Overlap dimension	12
6. Assembly	13
6.1 Pre-installing wheel sets in H-profiles	13
6.2 Pre-installing the tracking system in H-profiles (option)	14
6.3 Pre-installing glass panel	16
6.4 Installing U-profiles for the side connection (option)	18
6.4.1 Cutting to size and pre-drilling the U-profiles	18
6.4.2 Installing the U-profiles	19
6.5 Installing top and bottom rails with side connection (option)	20
6.5.1 Cutting to size and pre-drilling the top rail	20
6.5.2 Cutting to size and pre-drilling the bottom rail	21
6.5.3 Installing the top and bottom rails	22
6.6 Installing top and bottom rails	23
6.6.1 Cutting to size and pre-drilling the top rail	23
6.6.2 Installing the top rail	24
6.6.3 Cutting to size and pre-drilling the bottom rail	25
6.6.4 Installing the bottom rail	26
6.7 Placing the glass panels	27
6.8 Adjusting the glass panels	29
6.9 Installing handle (option)	30
7. Maintenance	31
8. Disposal of waste	31
9. Warranty conditions	31
10. Contact	31

KEEP THIS MANUAL IN A SAFE PLACE FOR FUTURE USE!

For the duration and the terms and conditions of the warranty we recommend that you contact your Deponti partner. We also refer you to our General Terms and Conditions of Sale and Delivery which are available on request. Deponti B.V. accepts no liability for any damage or injury resulting from a failure to carefully follow the instructions in this manual or exercise due caution during transport, assembly, use and maintenance of the veranda. As a result of our policy of continuous product improvement, certain product details may differ from what is described in this manual. For this reason the instructions provided only serve as a guideline for installation of the product this manual describes. This manual has been compiled with the utmost care, but Deponti B.V. cannot be held responsible for any errors in this manual or the consequences thereof. Furthermore, all rights are reserved and no part of this manual may be reproduced in any way whatsoever.



1. Introduction

Congratulations on the purchase of your Deponti Sliding Glass door!

Before you can start enjoying your sliding glass door it must be assembled properly. This manual provides clear instructions for all the steps you must complete for correct assembly of your Deponti sliding glass door. We recommend that you take the time to read the entire manual before you begin assembly. Check whether you have received all the necessary parts before you begin assembly. For your safety, follow all the applicable instructions. This also guarantees the safety of the installed roof. If you should have any questions, please feel free to contact your Deponti partner.



This manual should be kept in a safe, dry and shady place. In the event of damage or loss, the user must request a new copy of the manual from the Deponti partner.

2. Safety precautions and warnings



Important:

Please read the safety precautions and warnings before assembling the sliding glass door.

- During assembly, carefully follow the instructions and guidelines as described in this manual. Never change the order of the steps to be performed. If any aspect of the assembly procedure is unclear, please contact your Deponti partner. We reserve the right to make technical changes without written notice.
- We normally recommend that the sliding glass door be installed by two people (qualified technicians/authorized installers) working together.
- Check the delivery immediately upon receipt. In the event of damage or an incomplete delivery please contact your dealer immediately.
- The materials must be stored in a dry, ventilated area, not exposed to direct sunlight.
- Open the packaging carefully. Make sure you do not damage the product.
- To prevent damage to your sliding glass door, place the parts on a soft, clean, flat surface. **Never** place the glass panels directly on the ground! Tempered glass is easily scratched. Make sure it does not get scratched. Be particularly careful with the edges and corners of the glass panels.
- **Never** stand on the glass panels.





2. Safety precautions and warnings (continued)

- The addition or removal of parts, or the use or installation of materials other than in the prescribed manner, may adversely affect the safety of the sliding glass door and is therefore strongly discouraged!
- Tempered glass can **NOT** be ground or cut.
- Cordon off the assembly location so that others are kept at a distance.
- Always wear the correct protective clothing (work gloves, dust mask, safety glasses, shoes with non-slip soles, etc.) when performing the work.
- Always place a ladder on a firm, stable surface.
- Install the sliding glass door on a flat, stable foundation or surface. Make sure all fasteners are properly tightened. Check this regularly.
- The type of fastener to be used for the top rail, bottom rail and U-profiles for the side connection depends on the type of surface (metal, concrete or wood). Which types of fasteners are to be used must be determined by the installer, so fasteners are not included.
- Contamination may accumulate in the bottom rail system. To obtain maximum service life, it is important to keep the rail (track system) clean.
- Before first use the sliding glass door must first be thoroughly rinsed with clean water.
- Use plenty of water, soft material and a sponge for cleaning.
Use only neutral cleansers. No acids or alkalis.
Solvents (washing-up liquid and glass cleaner) can be used for removing greasy contamination.
- Be careful **not** to pinch fingers and limbs between the glass panels and/or side connection profiles.
- Dispose of the product in accordance with local laws and regulations.
- Deponti B.V. accepts no liability for damage or injury caused by failure to strictly follow the safety regulations and instructions in this manual or exercise due caution during assembly, use and maintenance of the product and any related accessories. Deponti B.V. is not responsible for any form of damage.



3. Product description

The Fiano sliding glass doors are ideal for use as a door for your veranda, veranda, garden house, cabin, balcony, etc.

The Fiano sliding glass doors consists of glass panels and aluminium top and bottom rails. The glass panels can be slid to the left and right in a 2-, 3-, 4-, 5- or 6-track guide rail. The system is fitted with bottom wheel guides, which is to say that there is an aluminium H-profile on the bottom of each glass panel which is fitted with a wheel set with plastic runner wheels that run along the bottom rail. The wheel set are height adjustable, allowing perfect adjustment of the glass panels.

The top rail, as delivered, has a height of 60 mm. The top rail has double brush profiles, to provide stable guidance. The bottom rail has a low bottom guide with a removable connecting/runner rail. There are water drainage slots in the bottom rail to allow rainwater to drain from the rail.

The glass panels are made of 10-mm-thick tempered safety glass and have an attractive ground finish at the edges. The glass panels are available with an overall height of 200 to 250 cm and a width of 64, 82, 98 or 104 cm.

The sliding glass doors can optionally be fitted with handles and catches so that all the panels automatically slide one after the other when the sliding glass door is opened. The mounting position of these catches in the H-profile is variable, so the overlap of each panel can be set separately.

Details

Colours	RAL9016 / RAL9001 / RAL7024 / RAL9005 / Brute
Glass type	Tempered safety glass
Glas thickness	10 mm
Number of tracks	2/3/4/5/6-sporen rails (41, 60, 79, 98 en 117 mm breed)
Panel width	64/82/98/104 cm
Installation height	200, 210, 215, 220, 225, 230, 240 en 250 cm

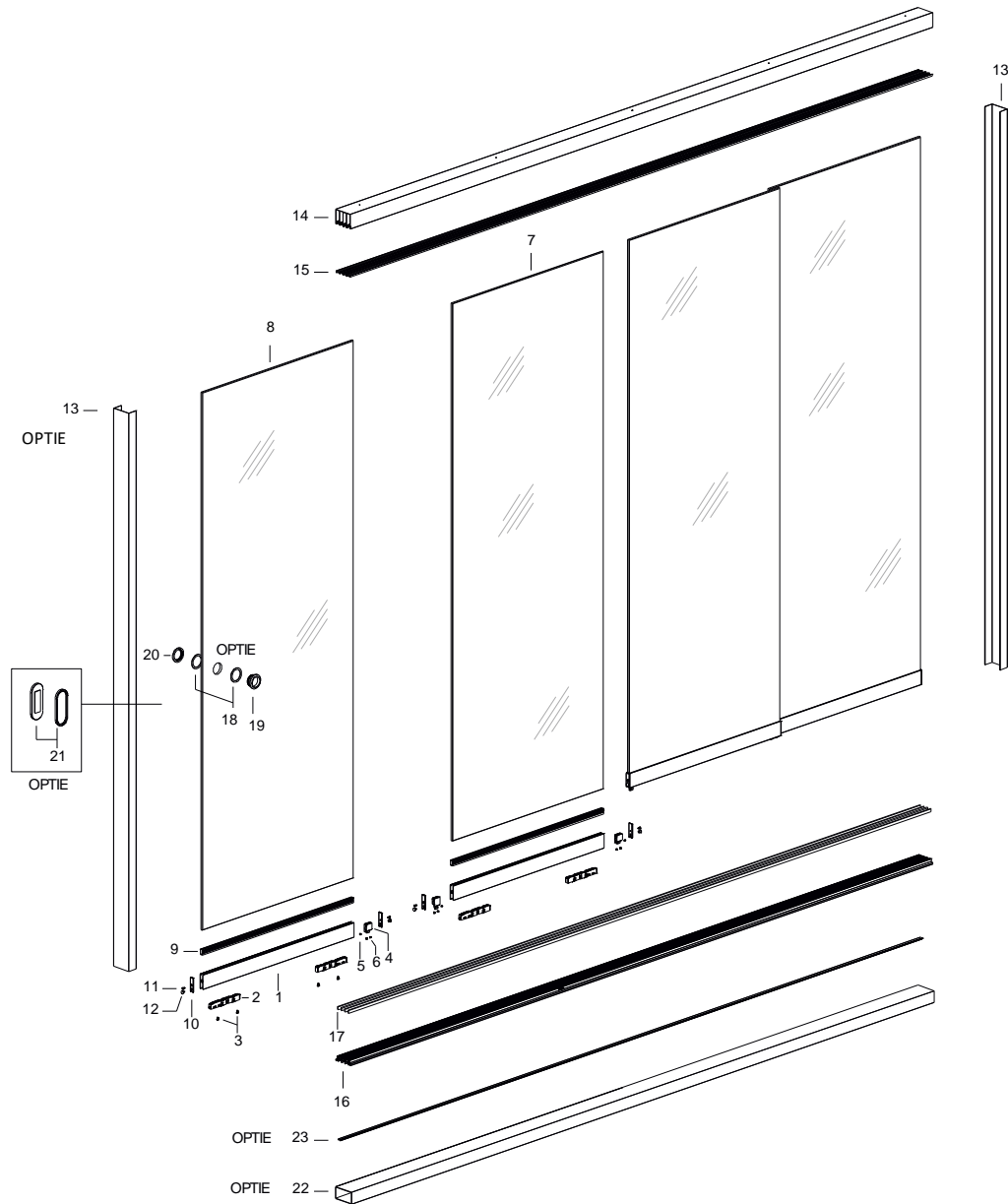
The type of fastener to be used for the top rail, bottom rail and U-profiles for the side connection depends on the type of surface (metal, concrete or wood). Which types of fasteners are to be used must be determined by the installer, so fasteners are not included.

Through use of a rectangular hollow section (RHS) and/or U-profiles (horizontal/vertical), the rough opening can be made level and plumb. Both the RHS and the U-profiles are available as optional parts.



4. Parts overview

4.1 Exploded-view



4.2 Controle levering

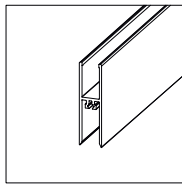
This manual shows a Fiano sliding glass door with representative dimensions (WxH) of 3.16 x 2.2 m, consisting of four glass panels with an overlap of 40 mm in a one-sided arrangement with 4-track rails. Catches are also used in this system. This merely serves as an example. The type and number of components supplied depends on your order.

Note: Always carefully check the delivered items against the accompanying delivery note to ensure that the quantity and quality are correct. Any visible defects must be reported in writing within 7 days of delivery.

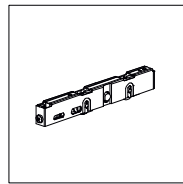


4.3 Stuklijst

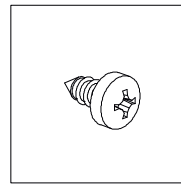
Controleer met de bestelbon de geleverde onderdelen goed op kwantiteit en kwaliteit.



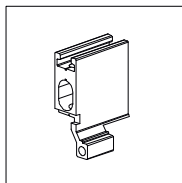
01. H-profile



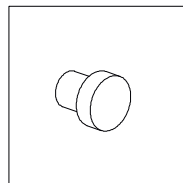
02. Wheel set



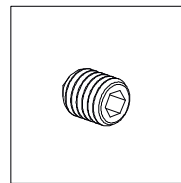
03. Sheet metal
screw



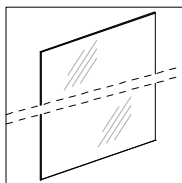
04. Tracking
system(option)



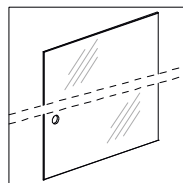
05. Rubber plug
for tracking
system



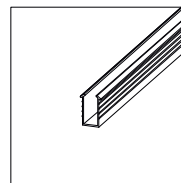
06. Adjustment screw
for tracking system



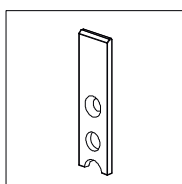
07. Glass panel



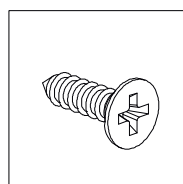
08. Glass panel
for screw-in
handle (option)



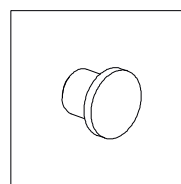
09. U rubber



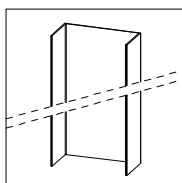
10. H-profile cover



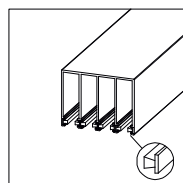
11. Screw 4.2x16
Countersunk
Phillips head



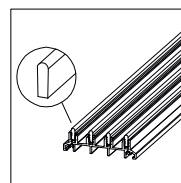
12. Cap



13. U-profiles for side
connection and
compensation of uneven
floor (option)



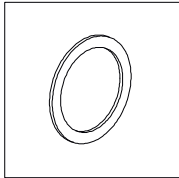
14. Top rail
15. Brush profiles



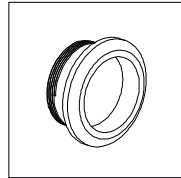
16. Bottom rail
17. Removable
connecting/runner rail



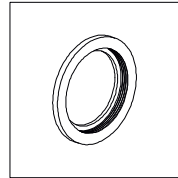
Other options:



18. Rubber seal ring for handle

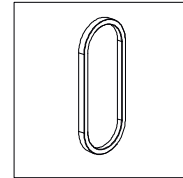


19. Screw-in handle outside

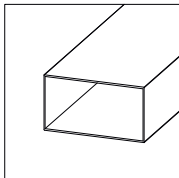


20. Screw-in handle inside

of



21. Aluminium stick-on handles with 3M VHB tape



22. Rectangular hollow section (RHS) for foundation



5. Preparation for assembly

5.1 Conditions for assembly

Ground & rough opening

- A good flat stable surface is required for installation of the sliding glass door.
- The bottom rail must be sufficiently anchored, via RHS, concrete strip or tiles.
- The location where the sliding glass door will be placed must be construction-ready and free of obstacles (garden furniture, flower boxes, etc.) so installers can perform their work without hindrance.
- Any obstacles and utility lines (e.g. power cables, etc.), must have been removed from the ground.
- The place where the top rail will be placed must be firm, even and flat.

Dimensions

- A Deponti sliding glass door is available for an overall height of 2000 to 2500 mm.
- A Deponti sliding glass door has a maximum width of eight metres.

Screws and drilling

- Tempered glass can **NOT** be drilled, ground or cut.
- Drill screw holes in the top and bottom rails, approximately 3 mm and 100 mm from the edge, with a distance of approximately 70-90 cm to the next two holes.
- Mount the top and bottom rails with countersunk-head stainless steel screws.



Note: If you continue to turn the stainless steel screws after they are tight, the screw head may break off. It is recommended that you screw carefully, with the torque limiter on your drill set properly.

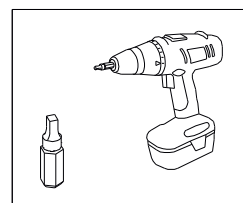
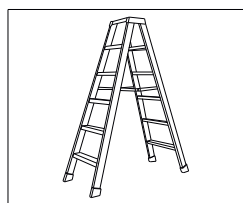
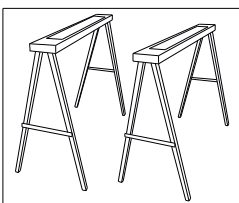
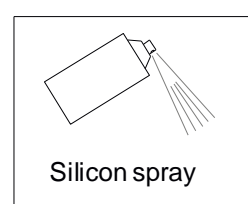
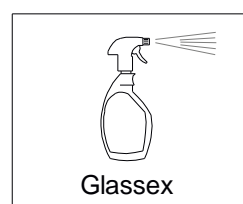
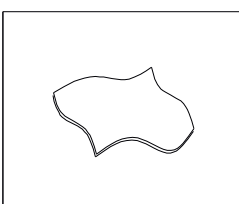
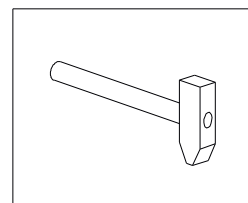
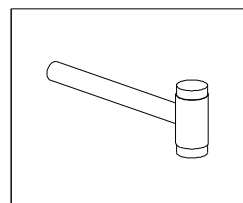
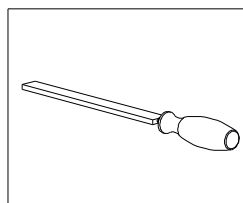
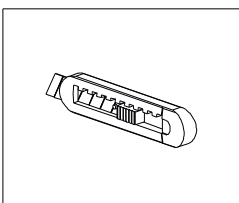
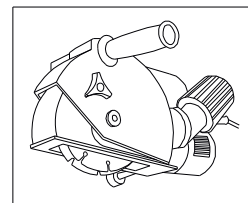
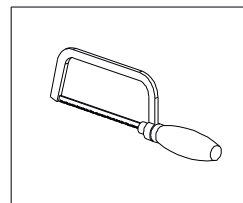
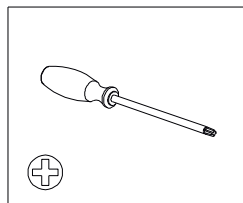
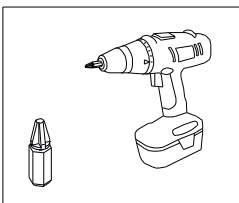
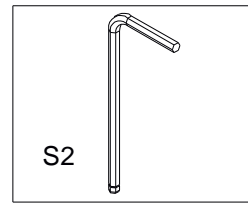
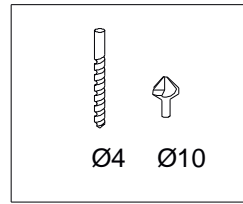
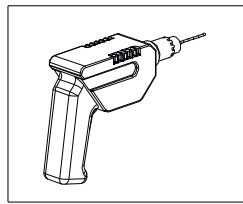
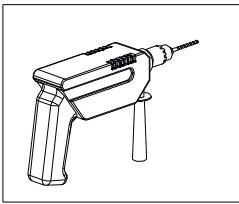
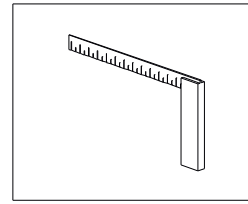
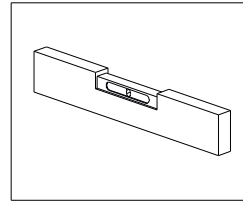
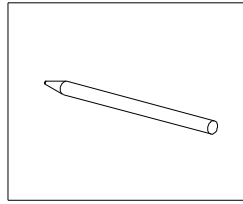
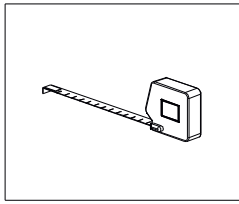
Remove protective film

- It is recommended that the protective film be removed from the aluminium parts at the last possible moment, to prevent damage.

Warranty is void if the Fiano sliding glass door is not assembled and installed in accordance with the instructions.



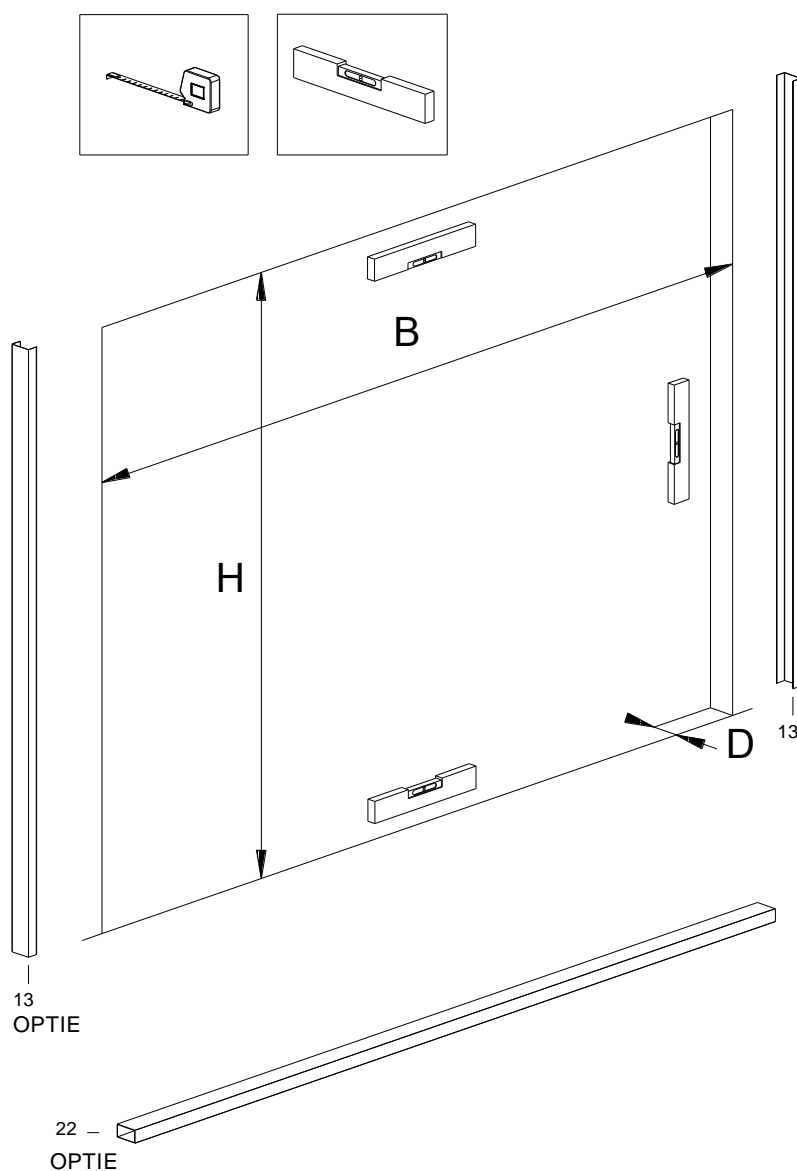
5.2 Inspection of tools and accessories





5.3 Measuring & determining dimensions

- Check the rough opening dimensions.
- Verify that the rough opening is level and plumb. The rough opening can be made level and plumb through use of a rectangular hollow section (RHS) and/or U-profiles (horizontal/vertical).
- Check whether the ground is stable, with an adequate foundation (e.g. RHS, concrete strip or tiles).



B: Overall width
H: Overall height
D: Depth of wall, façade or veranda post

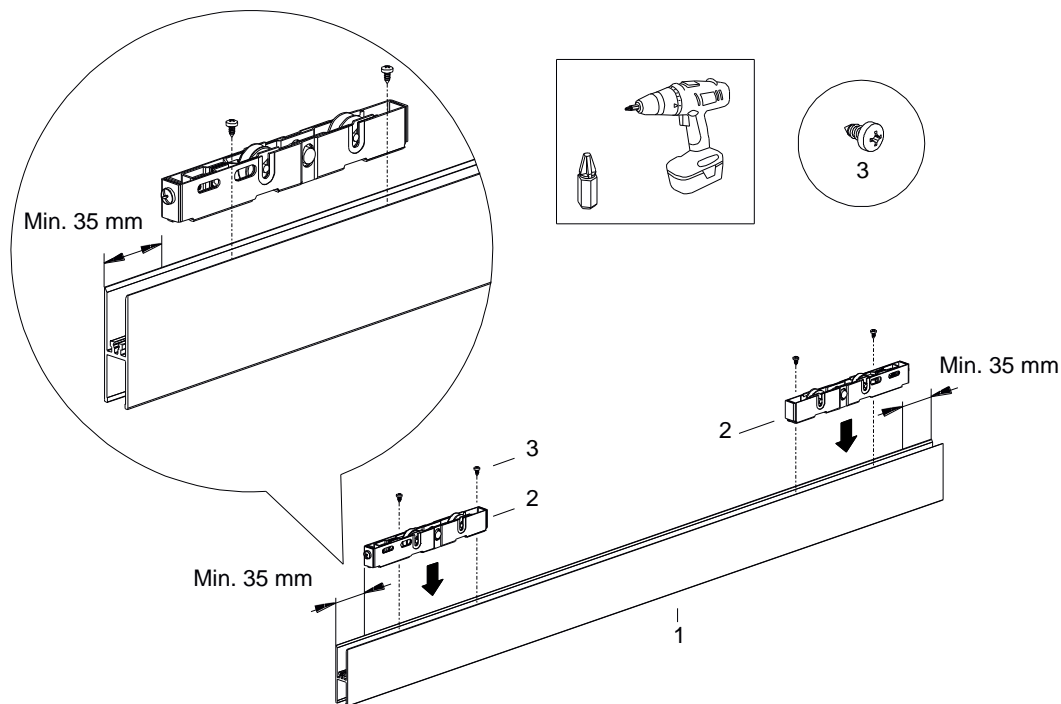


6. Assembly

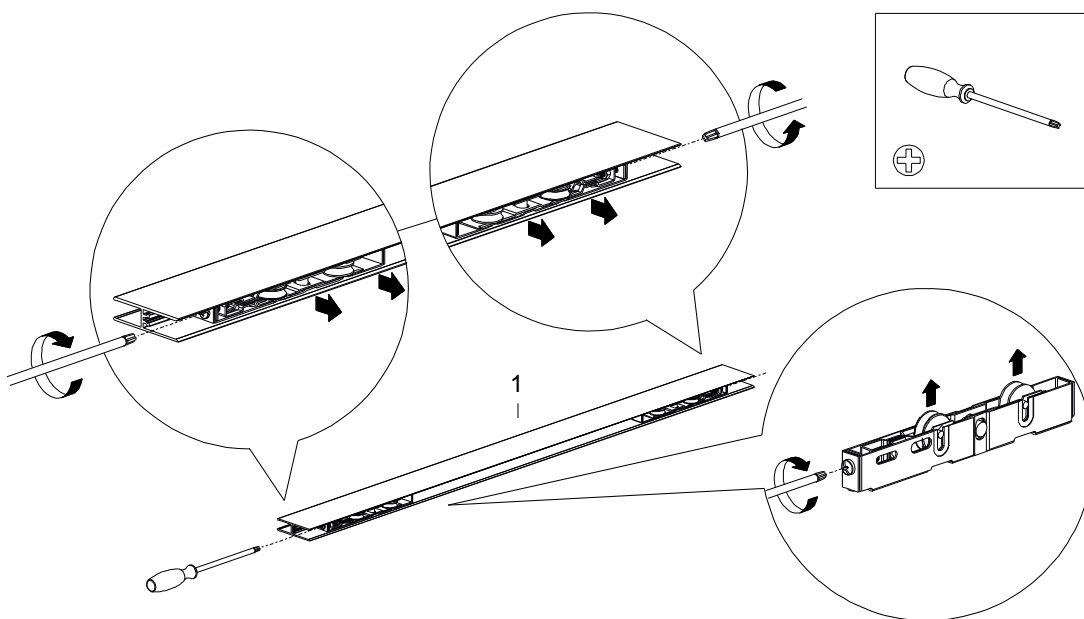
6.1 Pre-installing wheel set in H-profiles

1. Place the H-profile with the bottom facing up. Position the wheel set in the H-profile, at a distance of at least 35 mm from the side. Make sure the adjustment screws on the side of the wheel set is facing the outside.

Screw the wheel set in the H-profile with 3.9x6.5 pan-head sheet metal screws.



2. Screw the runner wheels three-quarters of the way out from the edge.



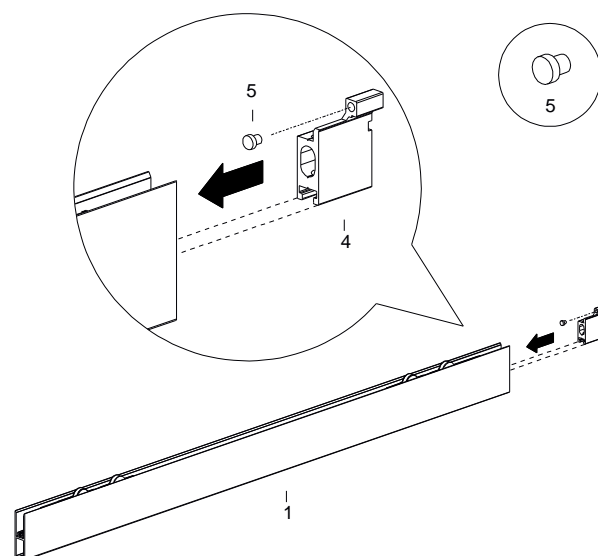


6.2 Pre-installing the tracking system in H-profiles (option)

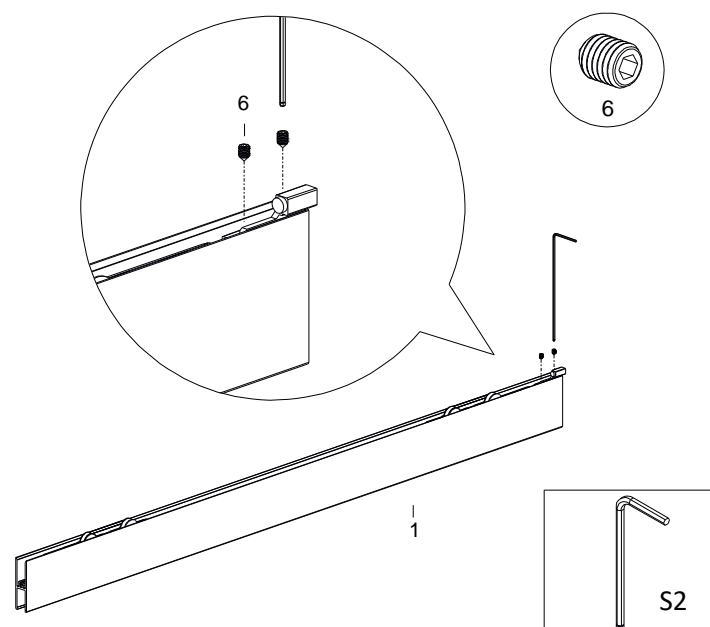
The sliding glass doors can optionally be fitted with the tracking system so that all the panels automatically slide one after the other when the sliding glass door is opened. The mounting position of the tracking system in the H-profile is variable, so the overlap of each panel can be set individually.

This manual shows the situation in which the panels slide one after the other when the sliding glass door is opened. The panels overlap by 40 mm.

1. Place the H-profile with the bottom facing up. Place one tracking system in the side of the H-profile of the first and last glass panel. Press the rubber plug (bumper) into the round hole of the tracking system.

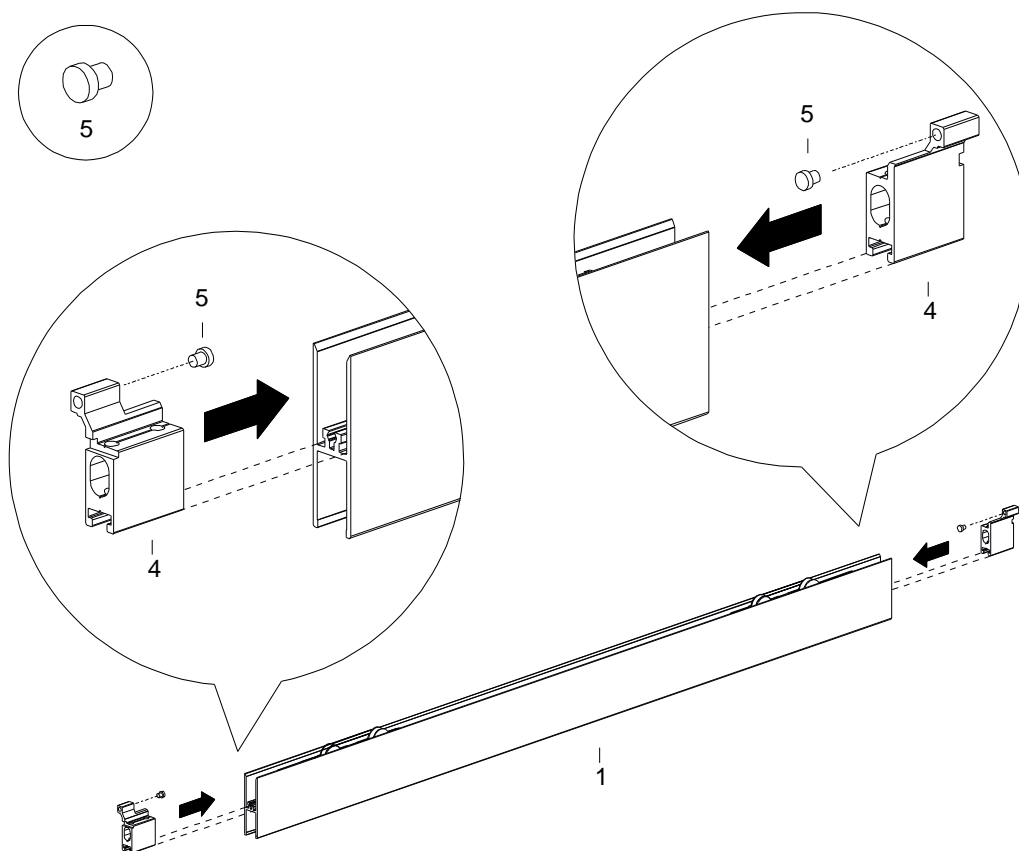


2. Tighten the two set screws of the tracking system with the Allen key.

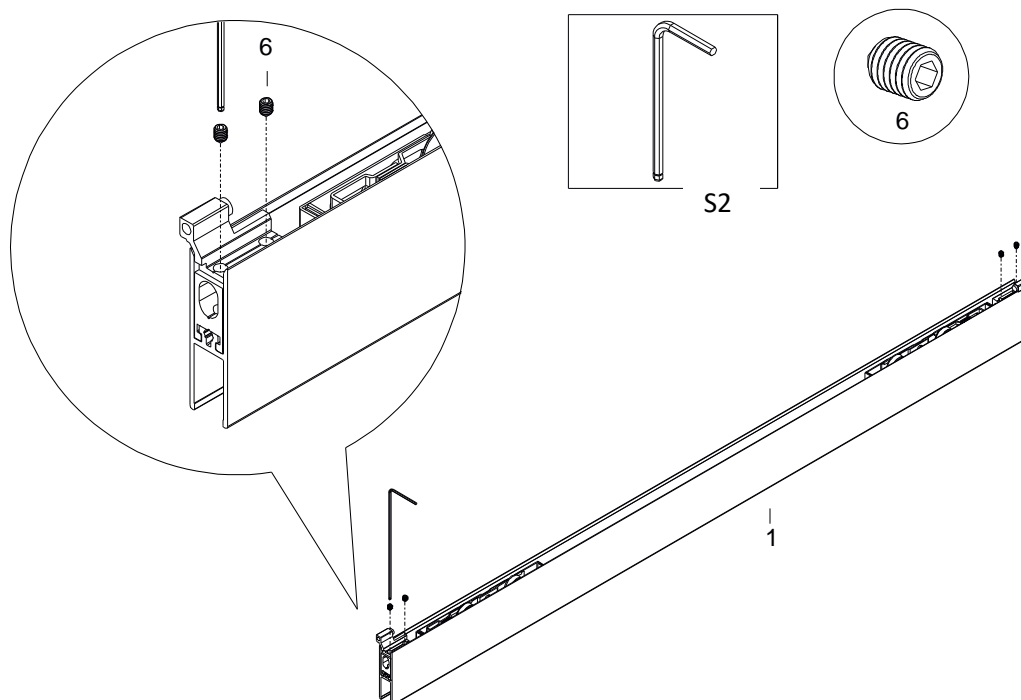




3. Place two tracking systems in the side of the H-profile of the middle glass panels. Press the rubber plugs (bumpers) into the round hole of the tracking systems.



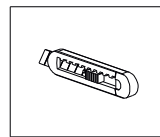
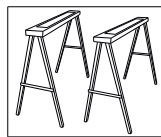
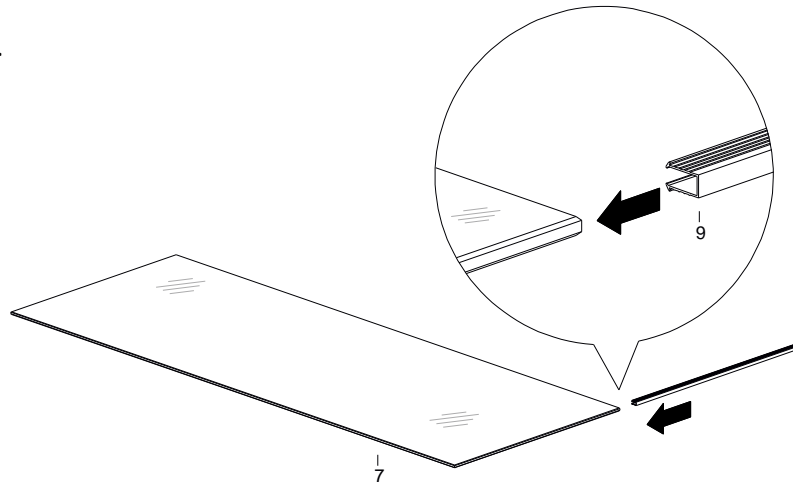
4. Tighten the set screws of the tracking systems with the Allen key.





6.3 Pre-installing glass panel

1. Place the glass panel on a stable, horizontal surface (a table or sawhorses) at working height.
 2. Slide the U-rubber over the entire underside of the glass panel.
 3. Cut the rubber to size.
- Do this for all the panels.

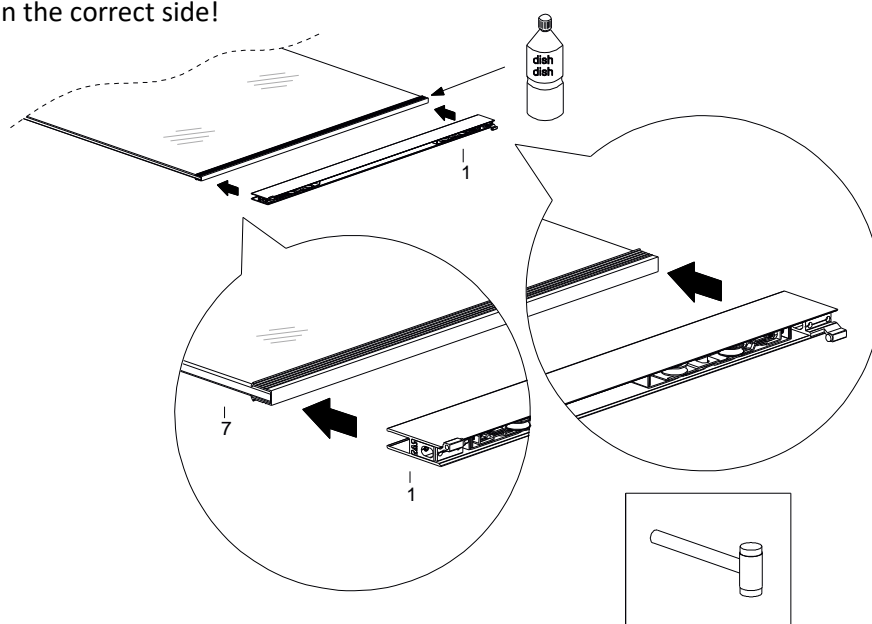


TIP: Drip washing-up liquid or glass cleaner onto the U-rubber of the glass panel; spread it evenly over the surface.

4. Place the H-profile with the open side (glass side) over the U-rubber, and tap the H-profile firmly in place.

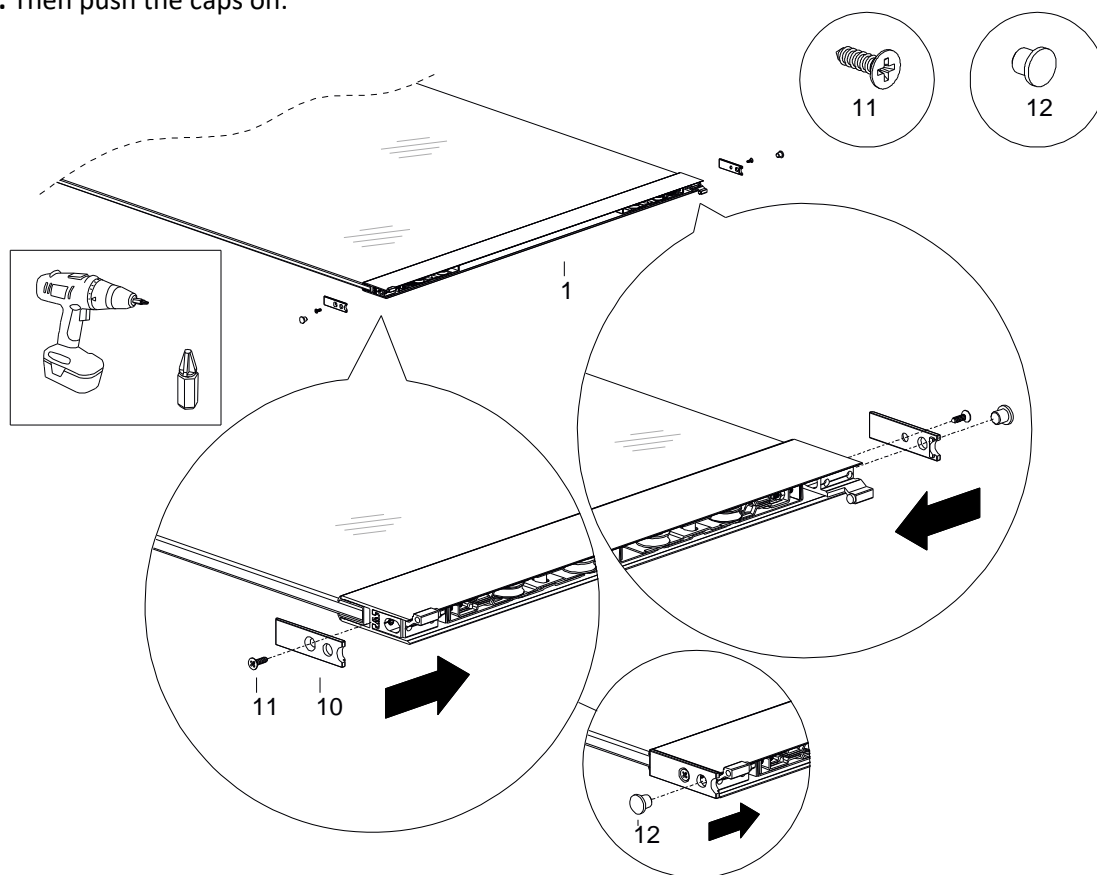
Do this for all the panels.

Note: In the case of a glass panel with milled out handle (=optional), make sure the tracking system is on the correct side!





5. Fit the H-profile cover on both ends of the H-profile with 4.2x16 stainless steel screws
6. Then push the caps on.



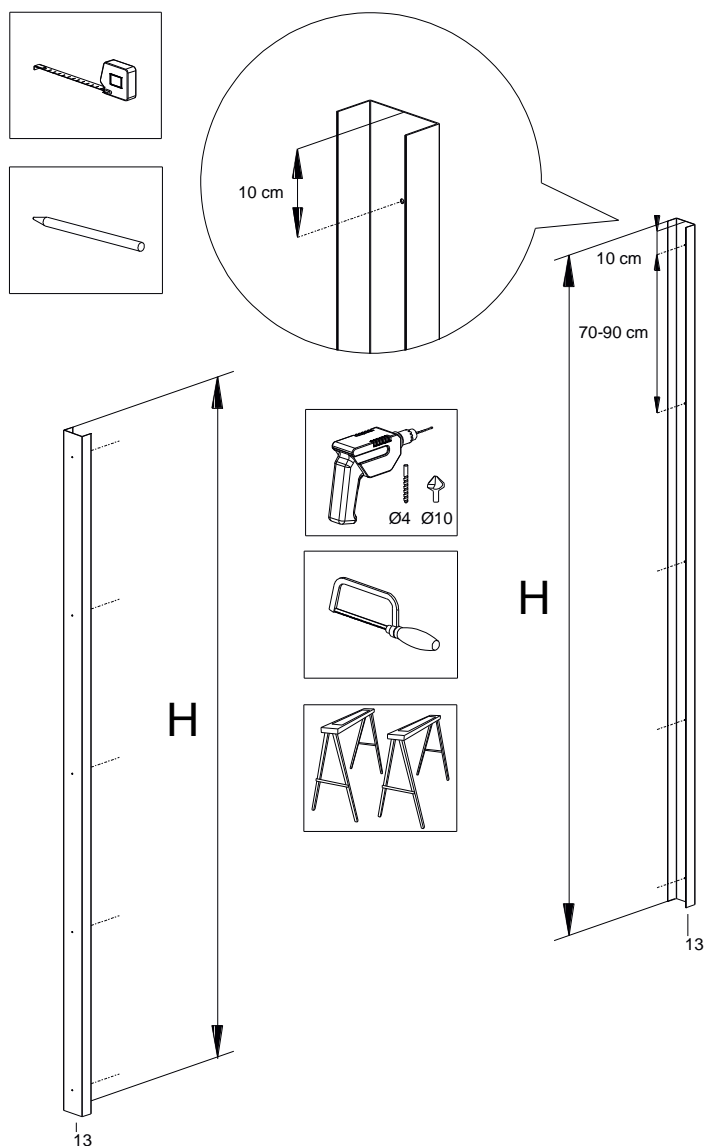


6.4 Installing U-profiles for the side connection (option)

NOTE: IF YOU DO NOT HAVE U-PROFILES FOR THE SIDE CONNECTION, PROCEED TO SECTION 6.6 INSTALLATION OF TOP AND BOTTOM RAILS.

6.4.1 Cutting to size and pre-drilling the U-profiles

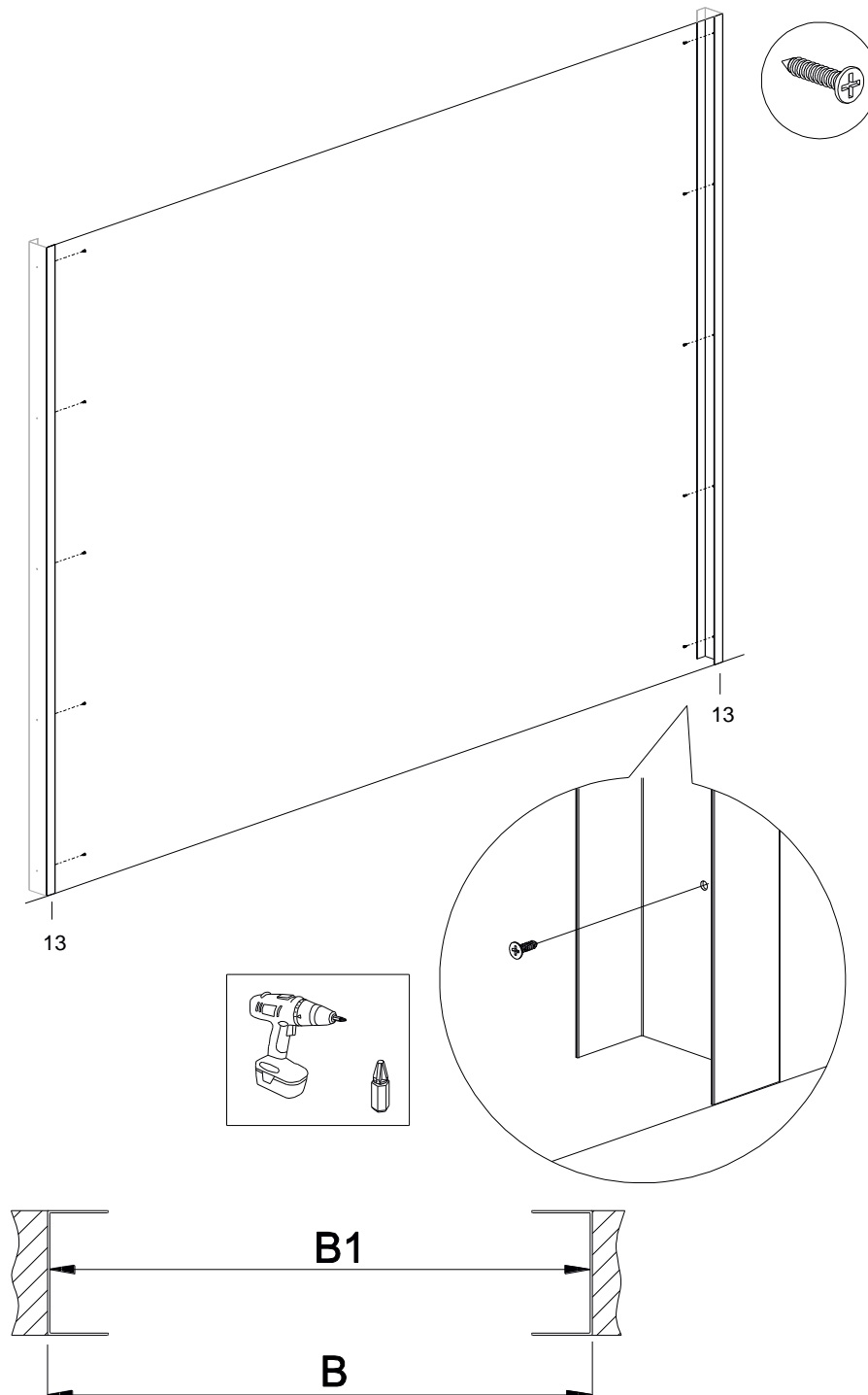
1. Place the U-profiles horizontally at working height (on a table or sawhorses).
2. Measure the overall height (H) and mark this on the U-profiles.
3. Saw the U-profiles to the right length.
4. Mark the holes along the centreline of the profiles, 10 cm from the end, with a distance of 70-90 cm to the next two holes. Drill the holes with a 3 mm drill bit.





6.4.2 Installing the U-profiles

1. Place the U-profiles in the rough opening, against wall or post.
2. Check that the U-profiles are plumb.
3. Screw the U-profiles to wall or post. The type of fastener to be used depends on the type of surface (metal, concrete or wood).
4. Now measure dimension B1 for the length of the top and bottom rails.



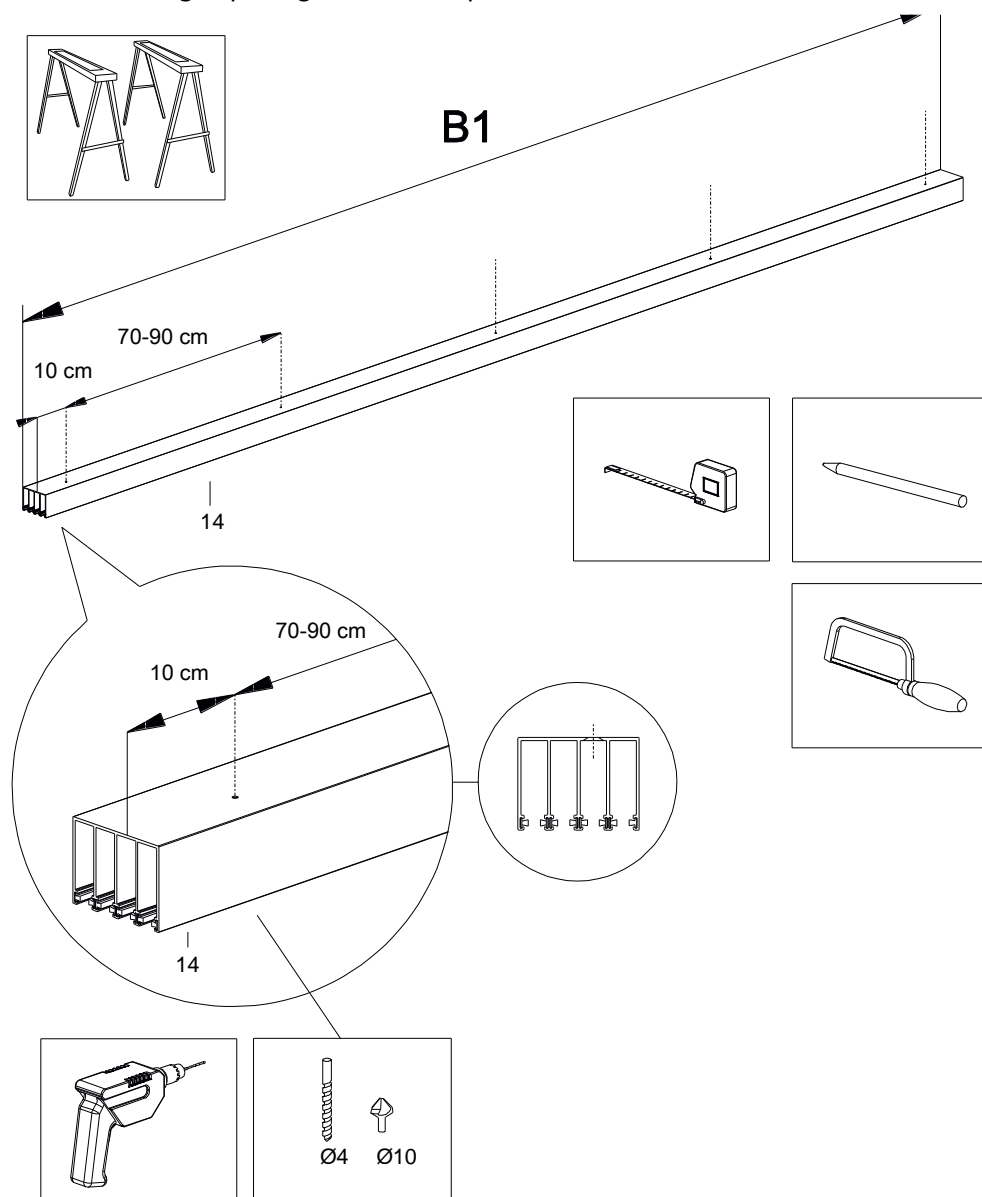


6.5 Installing top and bottom rails with side connection (option)

6.5.1 Cutting to size and pre-drilling the top rail

1. Place the top rail horizontally at working height (on a table or sawhorses).
2. Measure dimension B1 (overall width between the U-profiles) at the top of the rough opening and mark this on the top rail.
3. Saw the top rail to the right length.
4. Mark the holes along the centreline of the profile (for 4-track rail, in the centre of a track!), 10 cm from the end, with a distance of 70-90 cm to the next two holes. Drill the holes with a 3 mm drill bit.

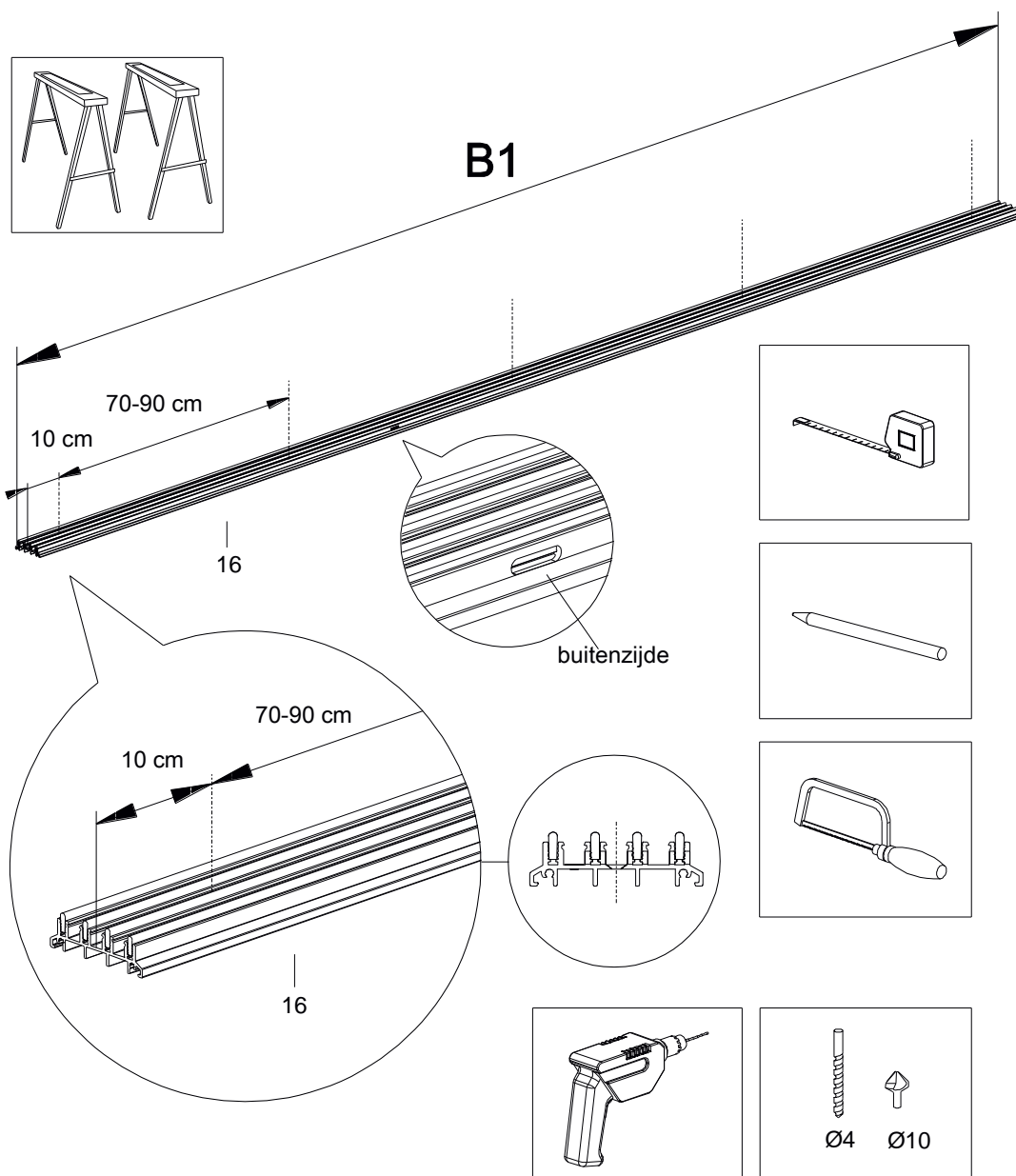
TIP: Preserve the water drainage openings as much as possible.





6.5.2 Cutting to size and pre-drilling the bottom rail

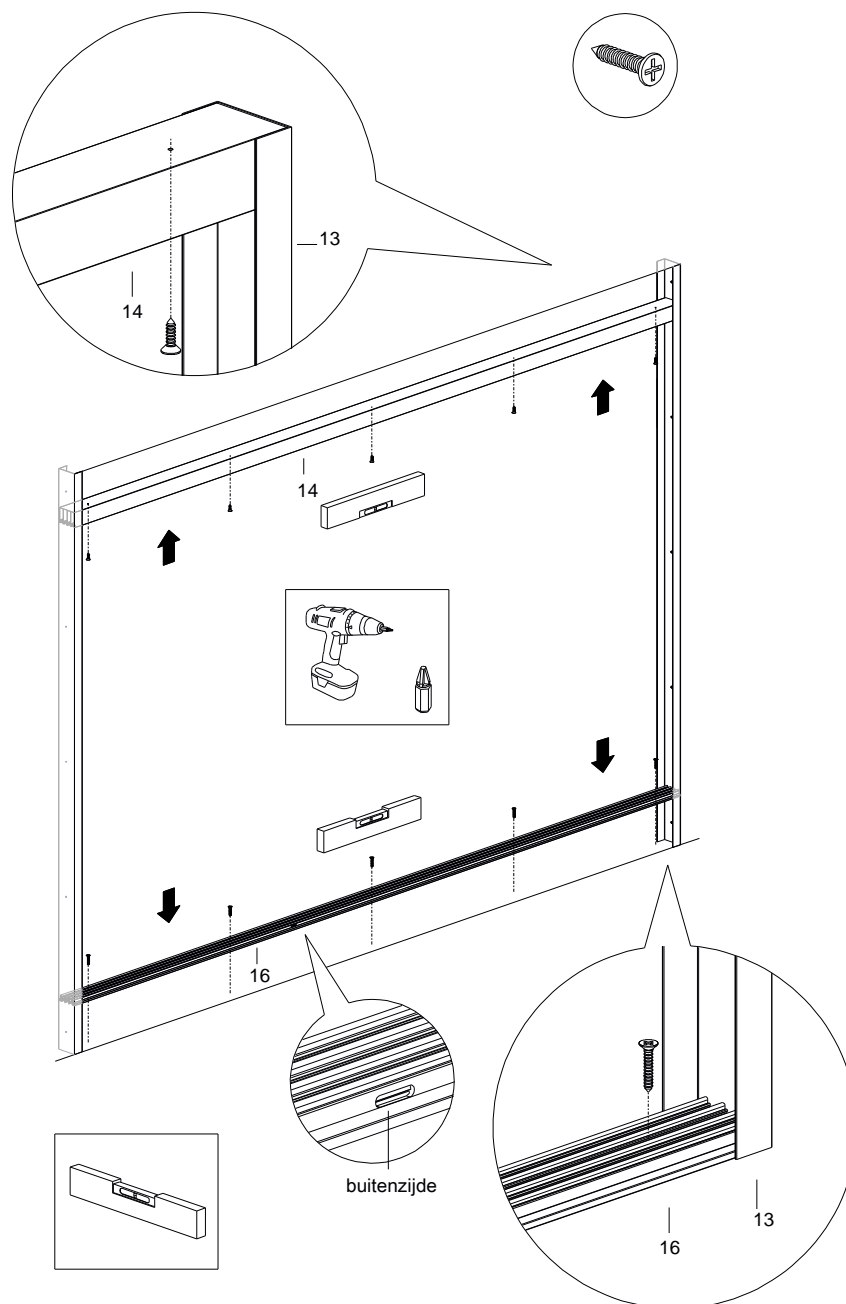
1. Place the bottom rail horizontally at working height (on a table or sawhorses).
2. Measure dimension B1 (overall width between the U-profiles) at the bottom of the rough opening and mark this on the bottom rail.
3. Saw the bottom rail to the right length.
4. Mark the holes along the centreline of the profile (for 3- or 5-track rail, in the centre of a track!), 10 cm from the end, with a distance of 70-90 cm to the next two holes. Drill the holes with a 4 mm drill bit. Countersink the holes to $\varnothing 10$ mm at the top side.





6.5.3 Installing the top and bottom rails

1. Place the top rail between the U-profiles and slide it against the top of the rough opening.
 2. Check that the top rail is level.
 3. Screw the top rail to wall or post. The type of fastener to be used depends on the type of surface (metal, concrete or wood).
 4. Place the bottom rail between the U-profiles and slide it against the ground.
- NOTE:** Make sure the slot for water drainage is on the outside.
5. Check that the bottom rail is level.
 6. Screw the bottom rail to the ground or RHS. The type of fastener to be used depends on the type of surface (metal, concrete or wood).

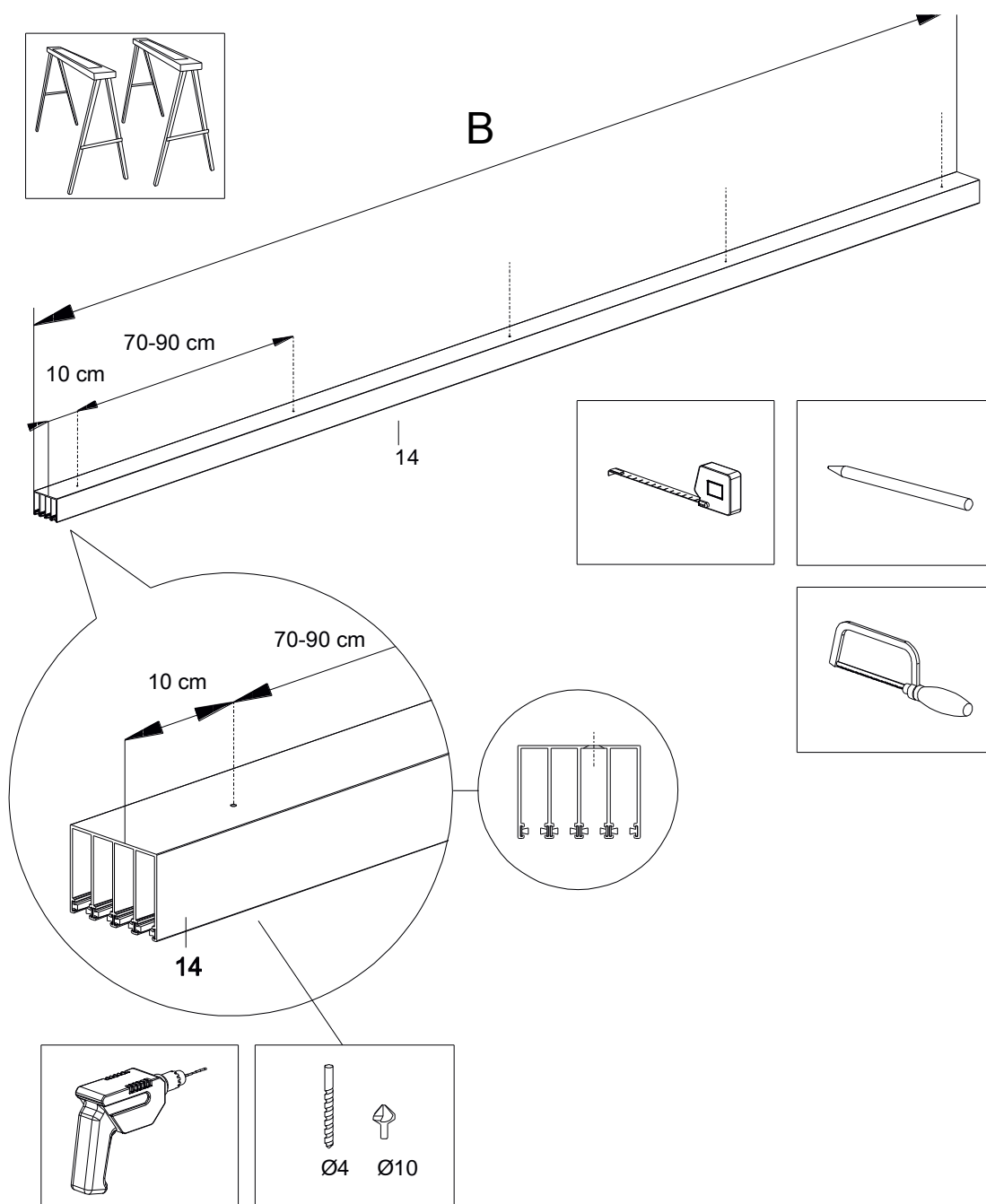




6.6 Installing top and bottom rails

6.6.1 Cutting to size and pre-drilling the top rail

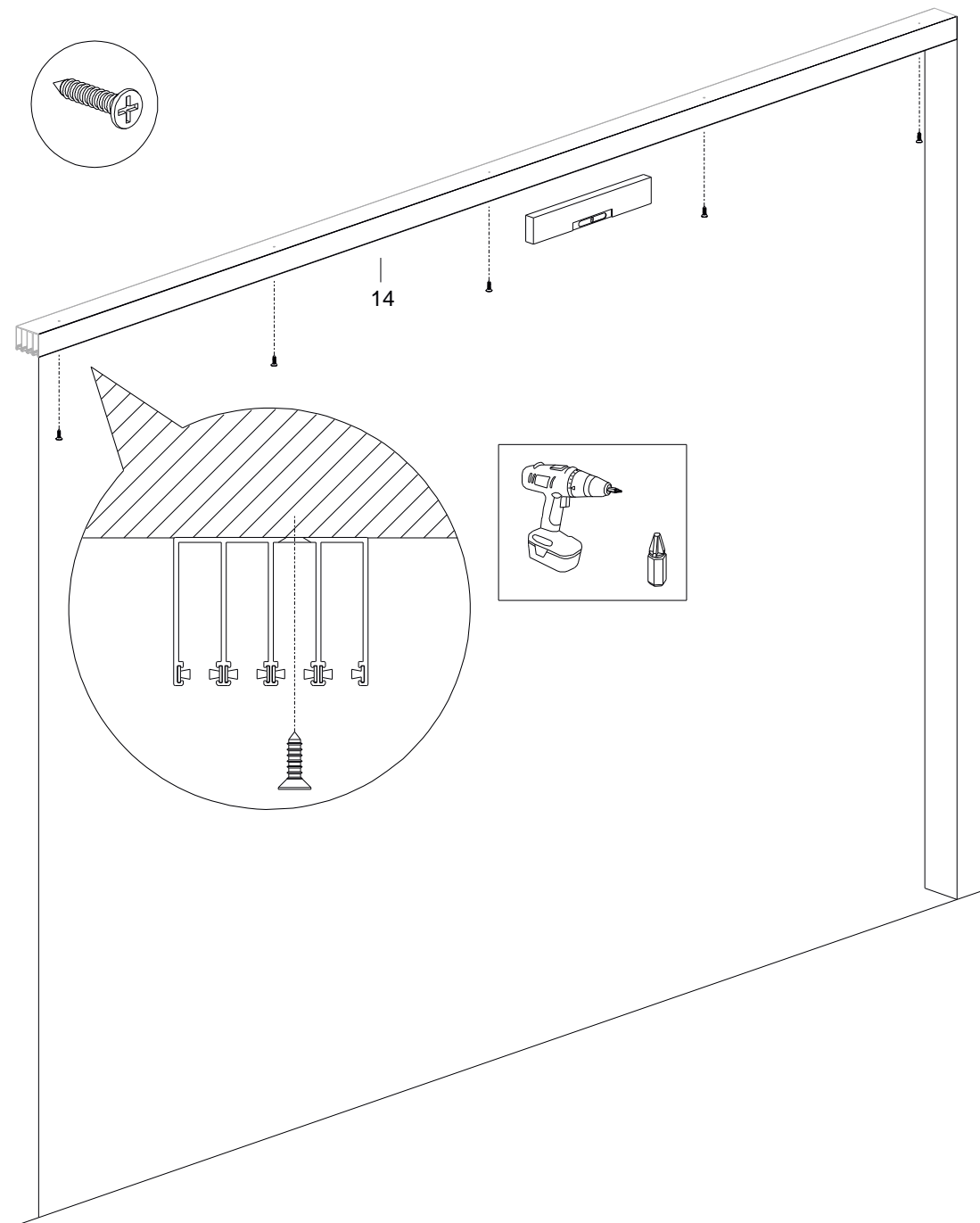
1. Place the top rail horizontally at working height (on a table or sawhorses).
2. Measure dimension W (overall width) at the top of the rough opening and mark this on the top rail.
3. Saw the top rail to the right length.
4. Mark the holes along the centreline of the profile (for 4-track rail, in the centre of a track!), 10 cm from the end, with a distance of 70-90 cm to the next two holes. Drill the holes with a 3 mm drill bit.





6.6.2 Installing the top rail

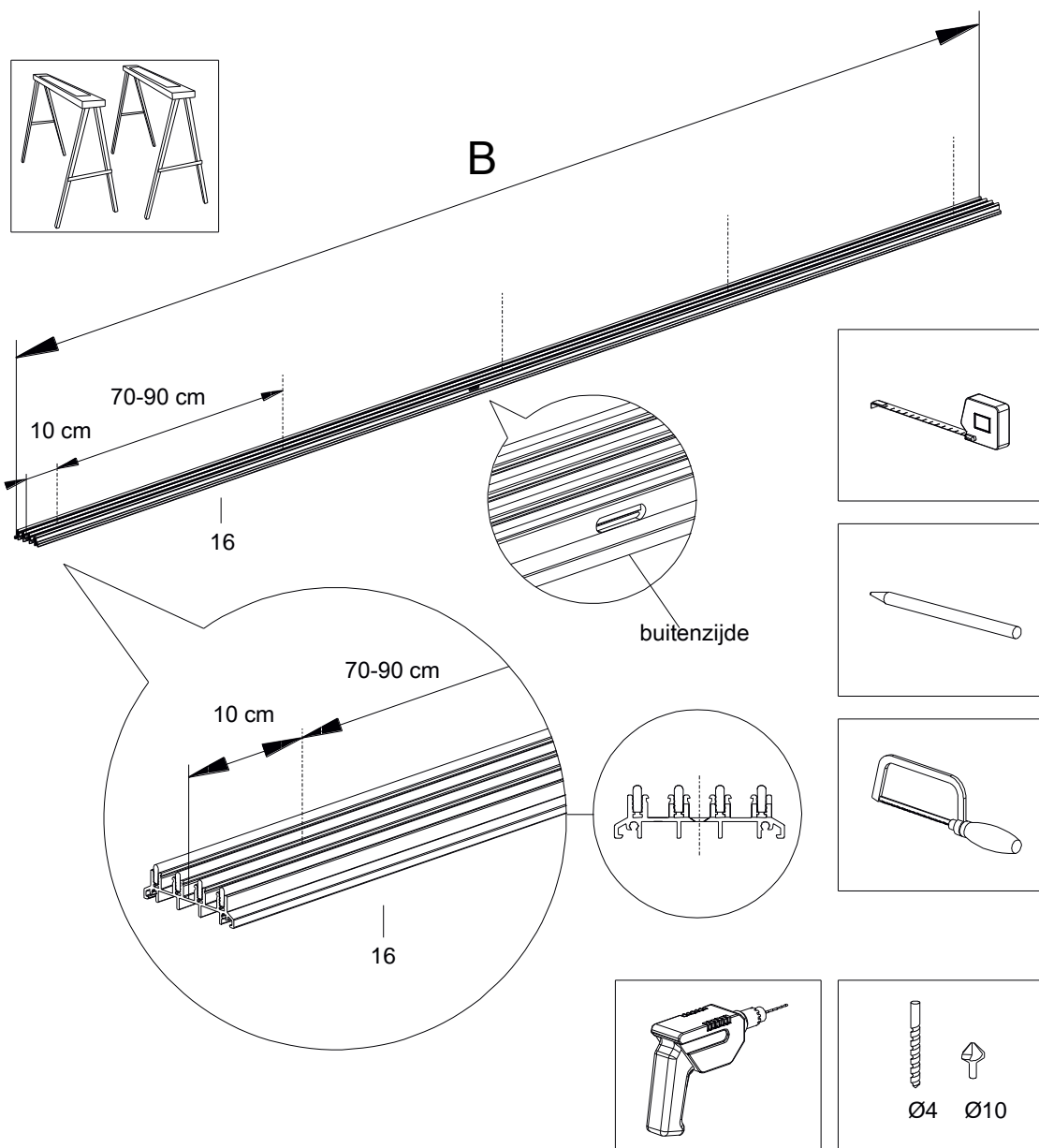
1. Place the top rail against the top of the rough opening.
2. Check that the top rail is level.
3. Screw the top rail to wall or post. The type of fastener to be used depends on the type of surface (metal, concrete or wood).





6.6.3 Cutting to size and pre-drilling the bottom rail

1. Place the bottom rail horizontally at working height (on a table or sawhorses).
2. Measure dimension W (overall width) at the bottom of the rough opening and mark this on the bottom rail.
3. Saw the bottom rail to the right length.
4. Mark the holes along the centreline of the profile (in the centre of a track!), 10 cm from the end, with a distance of 70-90 cm to the next two holes. Drill the holes with a 3 mm drill bit.





6.6.4 Installing the bottom rail

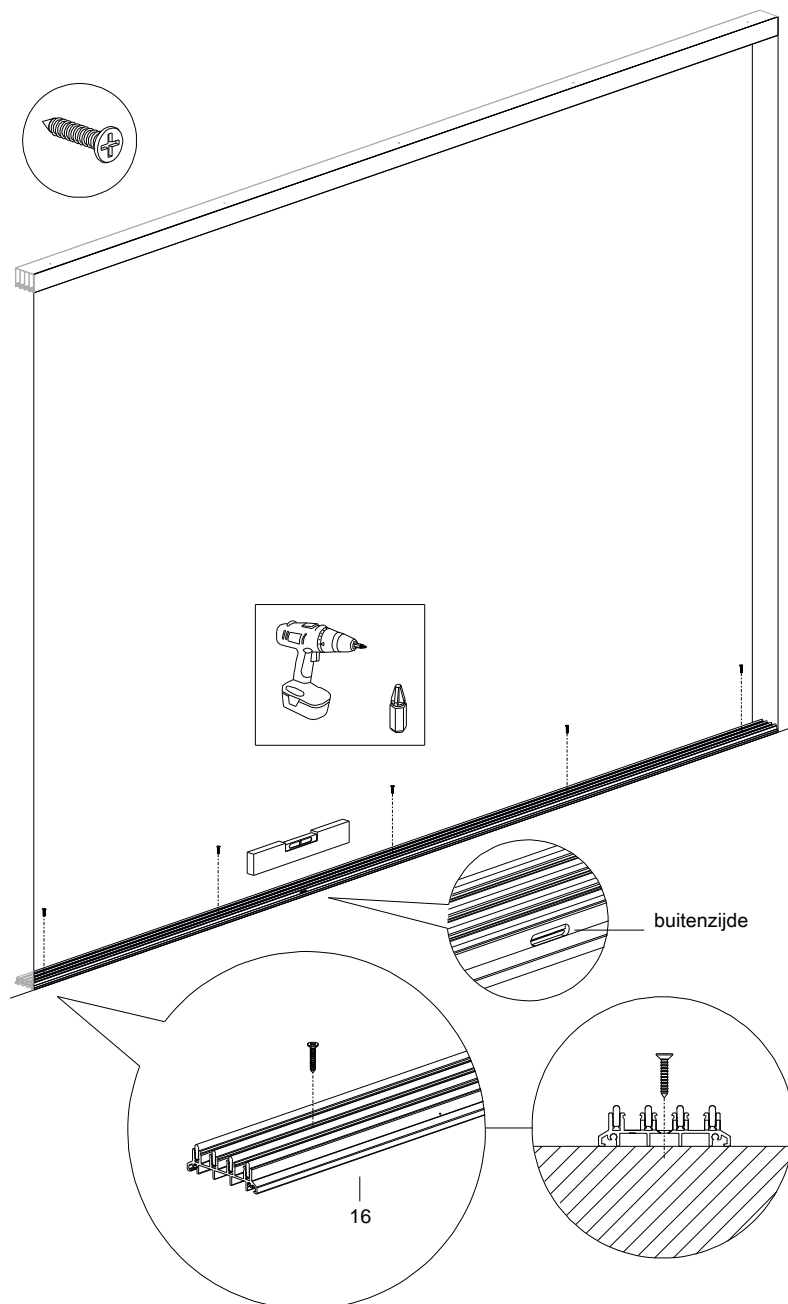
Note: The bottom rail must be sufficiently anchored, via RHS, concrete strip or tiles.

1. Place the bottom rail in the rough opening on the ground.

NOTE: Make sure the slots for water drainage are on the outside.

2. Check that the bottom rail is level and properly aligned with the top rail.

3. Screw the bottom rail to the ground or RHS. The type of fastener to be used depends on the type of surface (metal, concrete or wood).



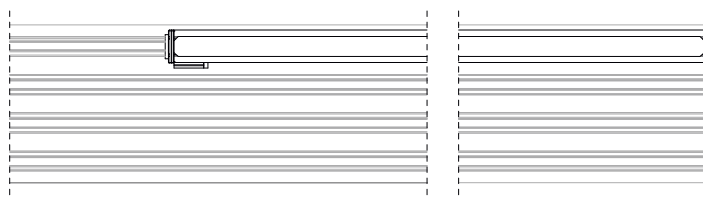
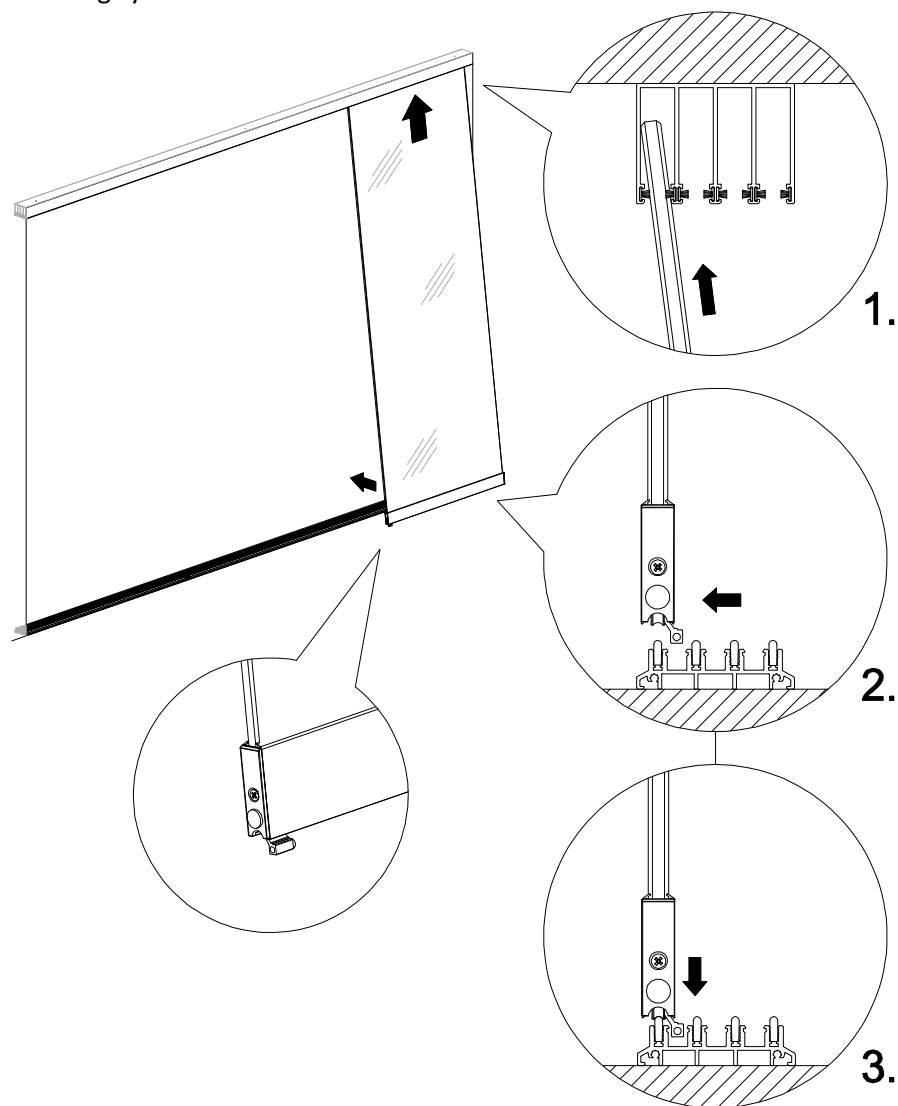


6.7 Placing the glass panels

Note: When placing the glass panels, always make sure they are placed in the correct track.

1. Lift the first glass panel into the first track of the top rail and then lower the glass panel into the same track on the bottom rail.

Note: Make sure the tracking system is on the correct side!

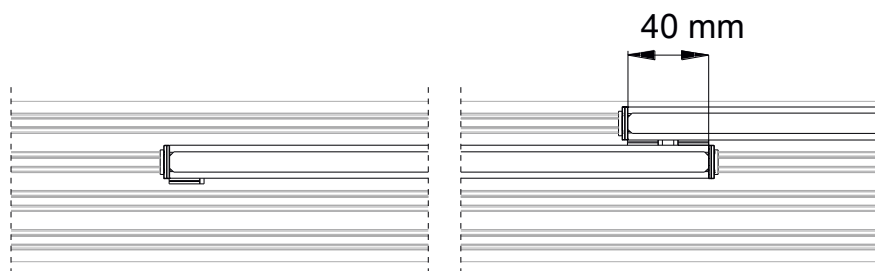
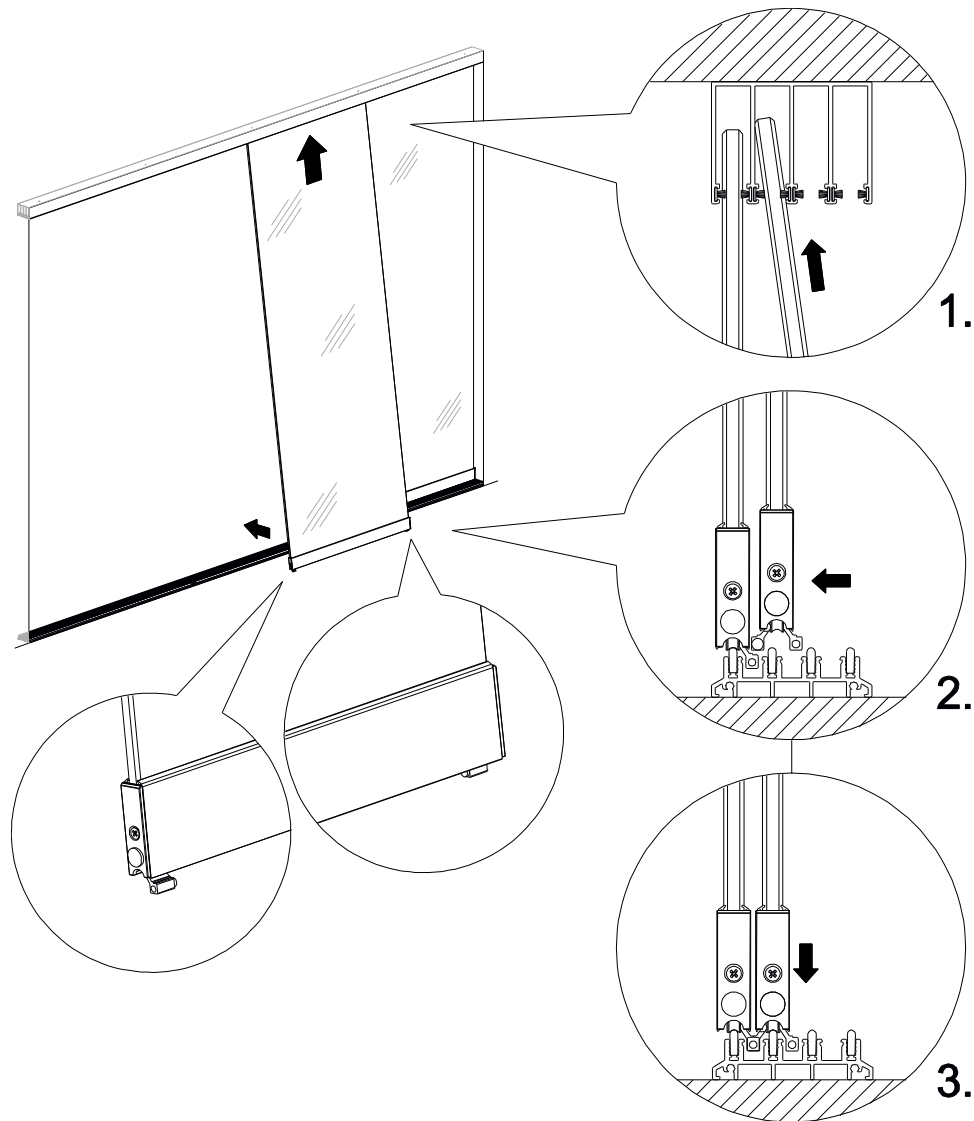




2. Lift the second glass panel into the second track of the top rail and then lower the glass panel into the same track on the bottom rail.

Note: Make sure that the tracking system on the second panel falls behind the tracking system on the first panel at the overlap!

3. Repeat the steps until all the glass panels are in position.



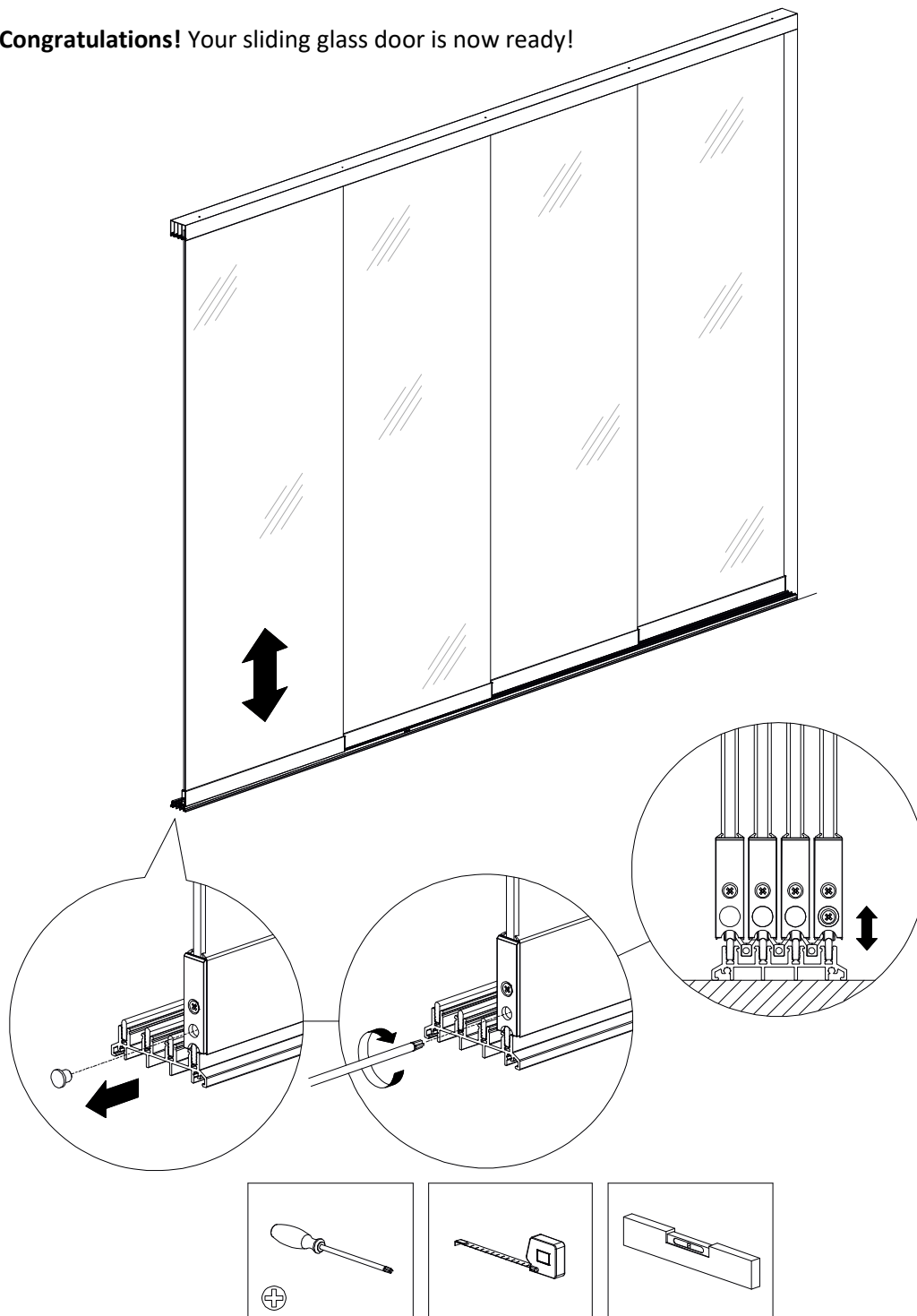


6.8 Adjusting the glass panels

A Phillips screwdriver can be used to perfectly align the glass panels.

1. Remove the cap.
2. Use the Phillips screwdriver to adjust the runner wheels to the perfect height.
3. Fit the cap.
4. Repeat this for all the glass panels.

Congratulations! Your sliding glass door is now ready!





6.9 Installing handle (option)

De glazen schuifwand is optioneel leverbaar met plakhandvaten of indraaihandvaten.

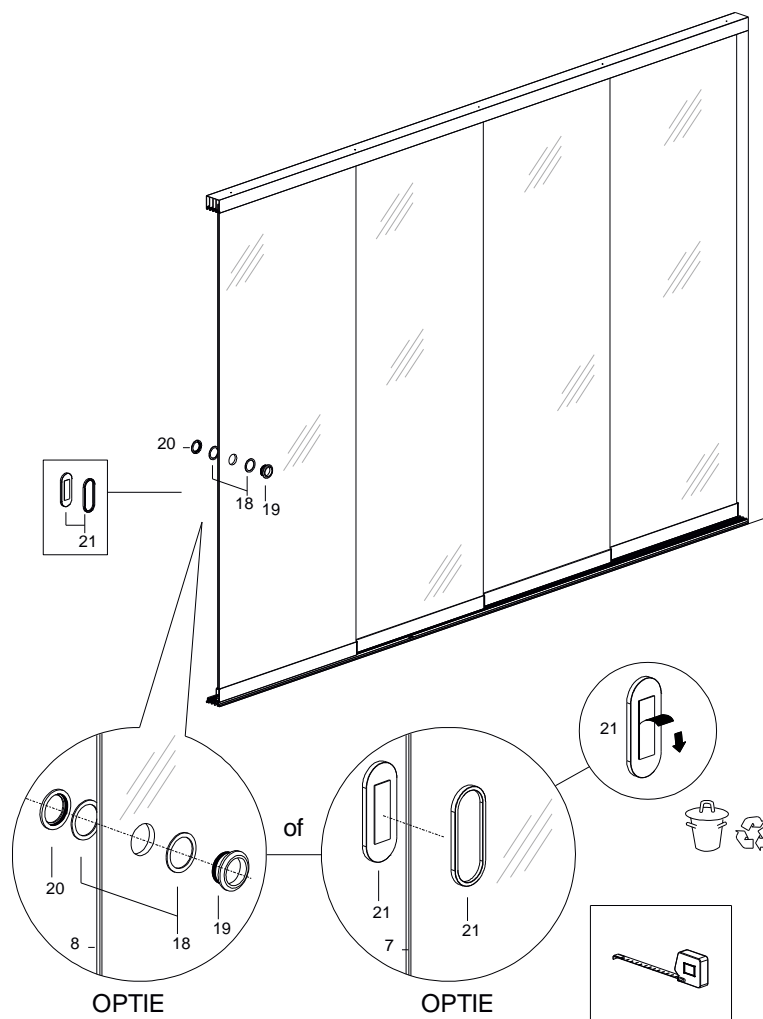
The sliding glass door is optionally available with stick-on handles or screw-in handles.

Installing stick-on handles:

1. Close the sliding glass door completely and mark the position where the stick-on handles should be located (approximately 105 cm from the ground and 10 cm from the side).
2. Degrease the glass panel where the handle will be placed.
3. Remove the film from the 3M VHB tape.
4. Affix the handles to both sides of the glass panel. Press firmly!

Installing stainless steel screw-in handles:

1. Place the sealing ring on the screw-in handle (19).
2. Place the screw-in handle (19) through the round mounting hole in the glass panel on the outside of the sliding glass door.
3. On the inside, place the second sealing ring on the screw-in handle (19).
4. Screw the grip ring (20) onto the screw-in handle (19).





7. Maintenance

We recommend that you maintain and clean your veranda at least once a year. Check whether the screw connections are tight. If not, tighten them firmly.

The aluminium profiles and roofing sheets that are dirty can be cleaned with lukewarm water and a cleaning product.

- Use a soft brush or sponge.
- Never use abrasives, aggressive solvents or a pressure washer.
- Wet first and rinse off with lots of water, and then wipe with a soft cloth.

8. Disposal of waste

Dispose of the product according to local laws and regulations.

9. Warranty conditions

Warranty in accordance with the warranty conditions and Deponti's general terms and conditions. These can be found on the website www.deponti.com.

The powder coating has a 5-year warranty. Please note, the powder coating warranty of aluminum parts is two years when the product is placed in a place where it comes into contact with salty or chemical steam (such as harbors, coast and swimming pools).

10. Contact

IMPORTANT: Your Deponti partner is your first point of contact for questions and comments.